

2008



KAB RAILS LLC

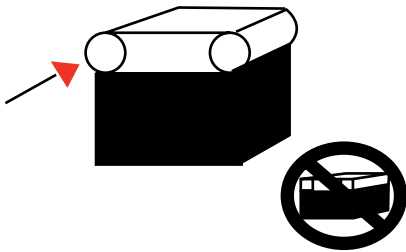
Terrain Park Design Company

2008

PRODUCT CATALOG

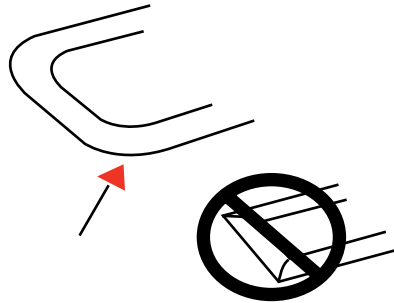
Safety Features

KAB holds the riders safety first and foremost. Our years of building features have taught us important techniques to improve each features safety. Every feature KAB builds has these important safety features incorporated into the design.



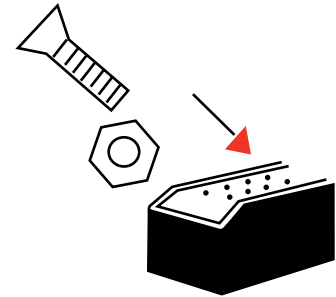
PIPE FOR COPPING NOT SQUARE TUBE

KAB only uses steel pipe coping 1 1/2" or more.
It makes it easier for the rider and is safer because it reduces edge catching.



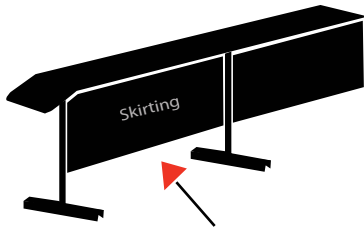
ROUNDED CORNERS

Every feature is made with rounded corners not sharp cut 45 degree.
Its designed to prevent serious injury if a rider where to fall and strike the edge.



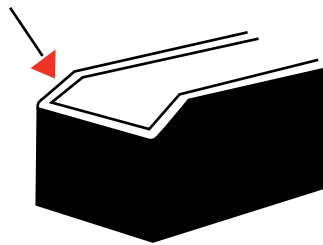
BOLTS NOT SCREWS

Every box's sliding is fasten with bolts and nylock nuts.
Prevents the bolts from coming loose and snagging the rider's edges.



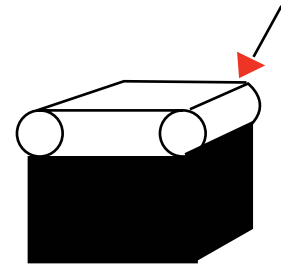
SKIRTING

All features come with safety skirting.
This is recommended.



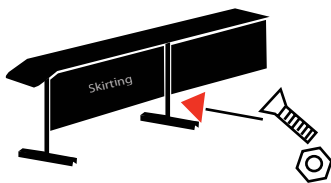
RAMPS

Entry ramps on boxes that do not start with an up section.
Helps to prevent clipping the riders tips and makes it easier to move around on the snow.



PERFECTLY FLUSH PLASTIC COPPING EDGE

With KAB's special coping jig we can get the coping and plastic to be perfectly flush.
Prevents the rider from ping-ponging between the coping pipes



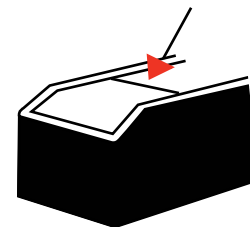
SKIRTING HARDWARE

The hardware used to fasten the skirting is the proper length.
This insures that a rider cannot snag the bolt if they fall into the bolt.



NO SKIRTING GAPS

Every piece of skirting is cut with no gaps between the leg and the skirting
This makes sure that a rider cannot slip a arm or figure between the shirting.



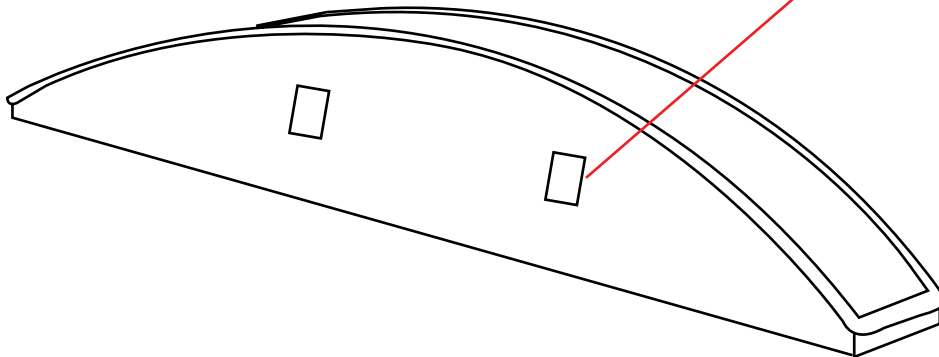
BEVELED SEAMS

Every plastic seem is bevelled to 45 degrees
This prevents the rider from snagging the seem has they slide a crossed the top.

Implements and Tools



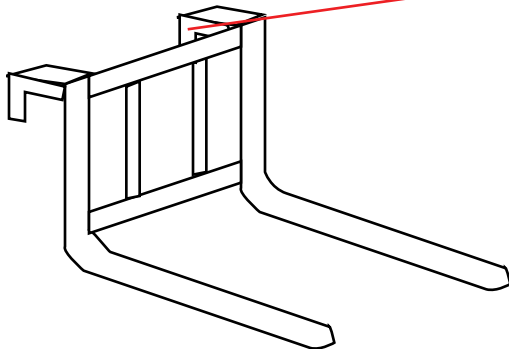
Moving features on hill is all ways a tricky task. Here are some KAB ways to make your life easier when transporting features.



The Switch Blade by Park Bully is the best method for moving terrain park features on hill. Its fast easy and safe. All it takes is a push of a button. The Switch Blade pick points can be added to all of KAB's features for a modest price. (max feature weight 2000lbs).

Price:

Rail	\$75
Tbox	\$75
True Box	\$150



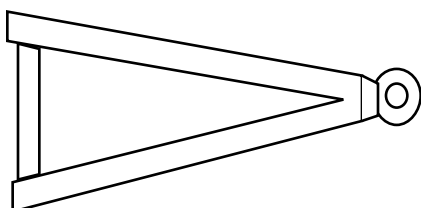
Blade forks can be made to fit over any blade of a snow cat. We can also make pick points that match up to our forks for easy feature moves.

Price:

\$3500 for forks

Pick points

Rail	\$75
Tbox	\$75
True Box	\$150



Hitches are made to be attached to large features with skis.

Price:

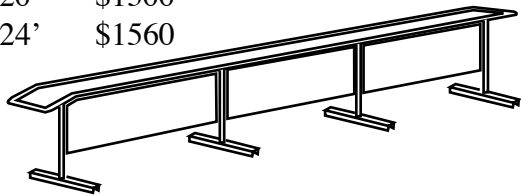
\$500 with skis added to feature

Eagle Series *T-boxes*



Straight T-Box

16' \$1040
 20' \$1300
 24' \$1560



T-Boxes

Any box under 15" wide, 4' tall and 24' long can be made T style. T boxes are light weight compared to true boxes and are designed for use in parks that set features in by hand. A small digger crew can move these features relatively easy and place them in without the aid of a snow cat.

Standard size: 2' skirting

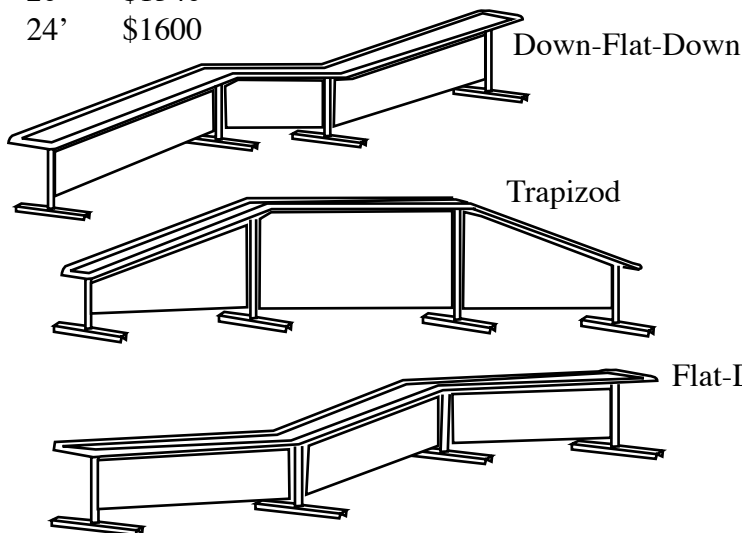
15" wide

3' tall

16', 20' & 24' long

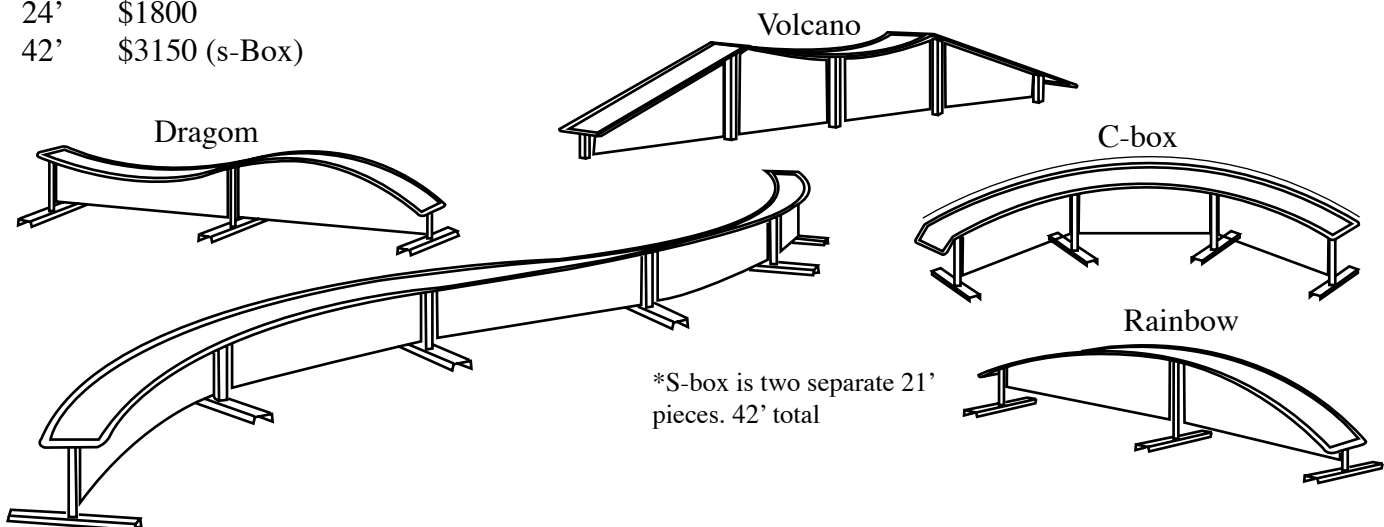
Kinked T-boxes

20' \$1340
 24' \$1600

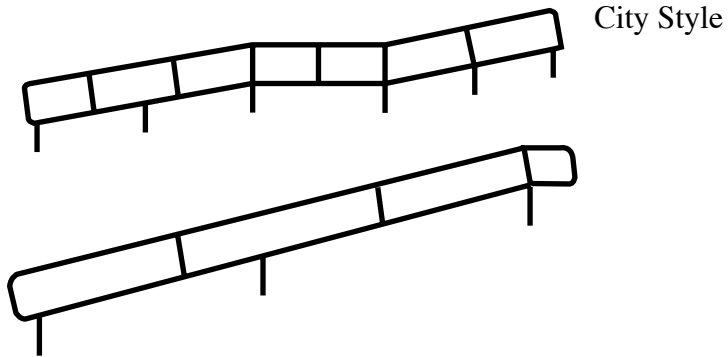


Curved T-boxes

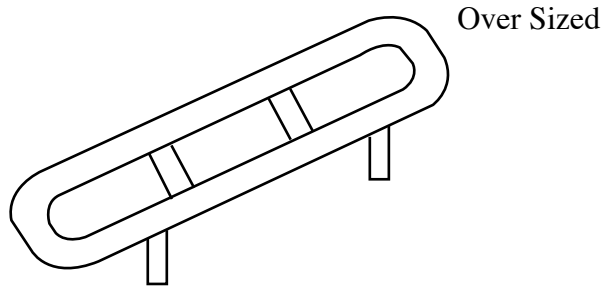
20' \$1500
 24' \$1800
 42' \$3150 (s-Box)



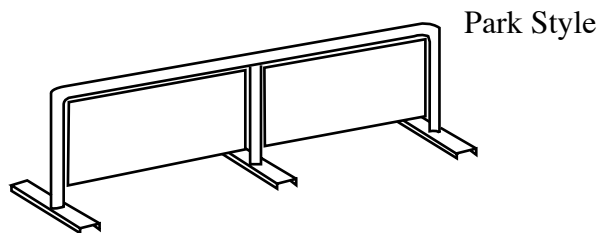
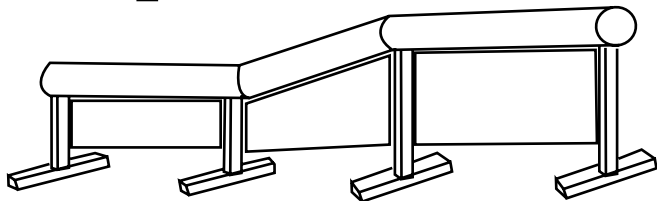
Eagle Series cont...



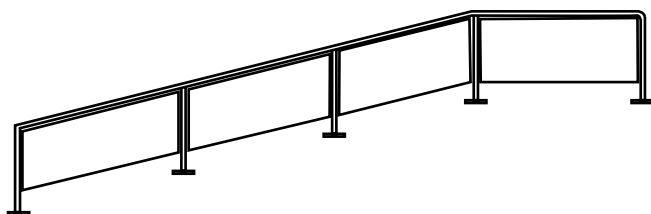
City Style



Over Sized



Park Style



Rails

Rail styles are made city, park or over sized. And come in all kinds of shapes. Take a look at the box shapes to get an idea of how you would like your rails built. Along with the different styles and shapes our rails can be made with any type of steel; 2" to 24" pipe single or double barrel, Rectangular tube, Square tube.

Standard size: 2" pipe or 2x4" tube
 2' skirting
 3' tall
 16', 24' & 32' long

Prices:

Straight Rail 16'

20'	\$1000
24'	\$1200
32'	\$1600

Kinked

24'	\$1250
32'	\$1660

Curved

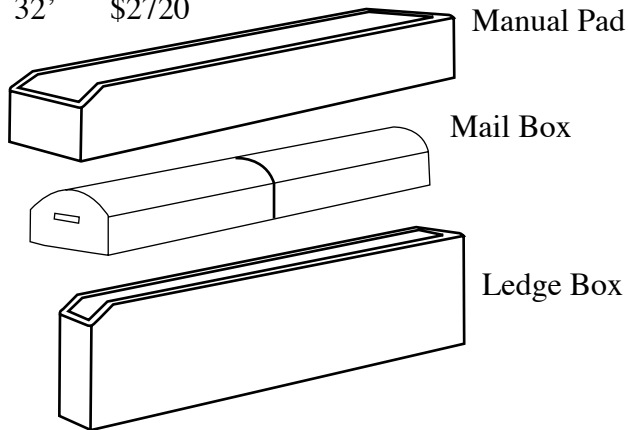
20'	\$1200
24'	\$1440
32'	\$1920
42'	\$2500 (s-rail)

Bull Series



Straight Boxes

- 20' \$1700
- 24' \$2040
- 32' \$2720



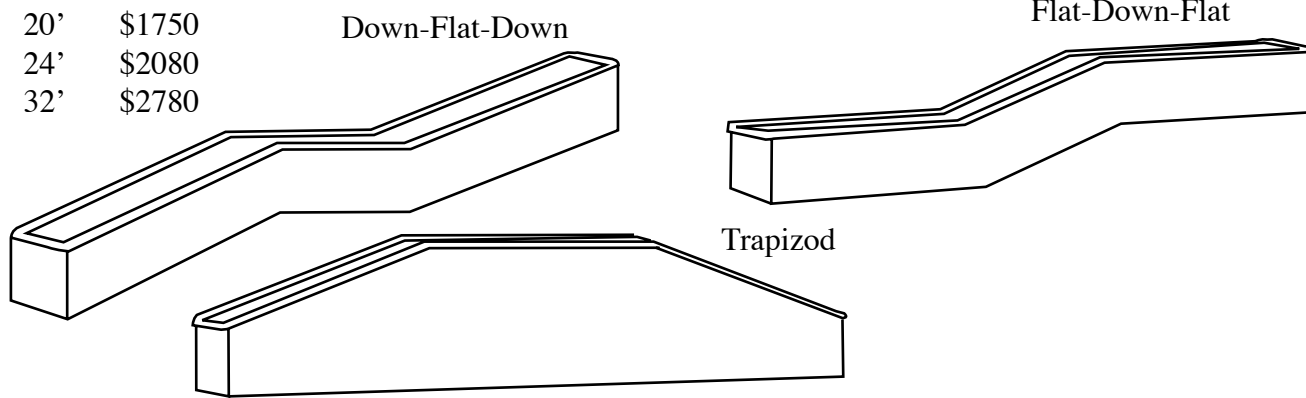
True Boxes

The true box is the strongest structural feature design. For that reason we recommend it when ever handling your features exclusively with snow cats. The true box can be made taller, longer, and wider than the our t-box. **Because of their weight pick points are recommended.

Standard size: 15" wide
 2' tall
 16', 24', 32' and 42' long

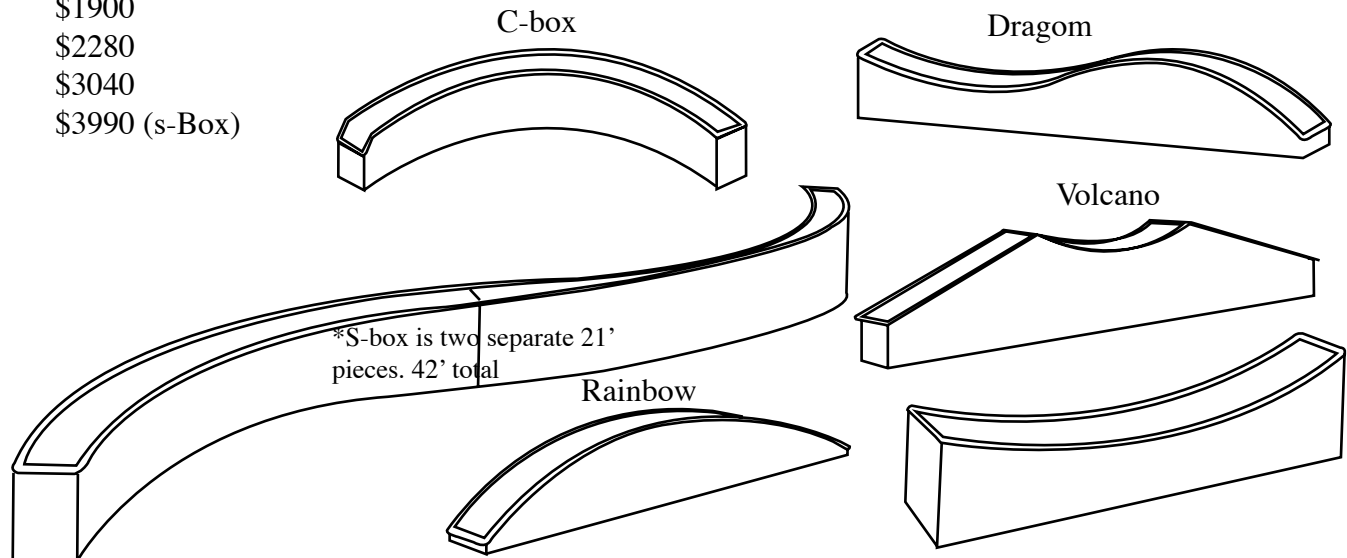
Kinked Boxes

- 20' \$1750
- 24' \$2080
- 32' \$2780

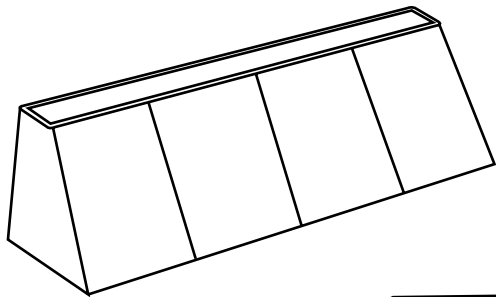


Curved Boxes

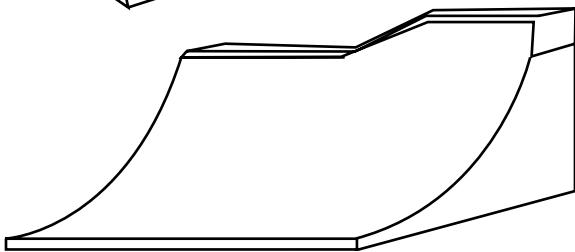
- 20' \$1900
- 24' \$2280
- 32' \$3040
- 42' \$3990 (s-Box)



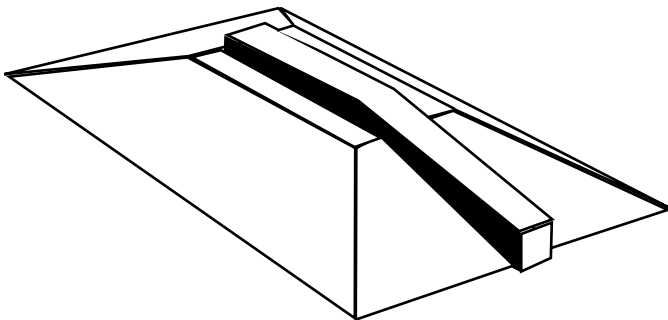
WolfSeries



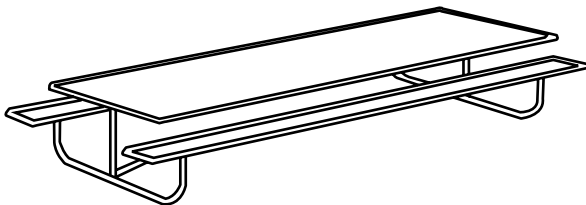
Wall ride with box
top. 8' tall.
16' \$3600
20' \$4400
24' \$5200



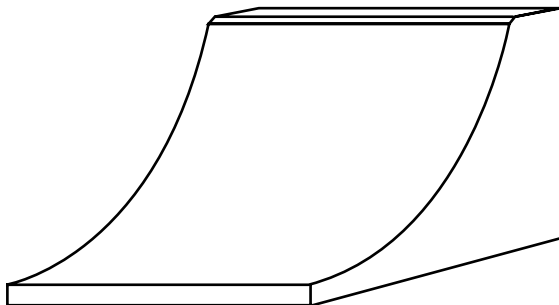
Skate Tyranny Wall
ride with extension
and snow carpet.
8' tall, 10' tyranny,
(9.5" tall@ extend).
20' long
\$5000



Skate Pyramid with
box.
24' long 8' wide
\$3200



Picnic Table
16' \$1750
20' \$2200
24' \$2650

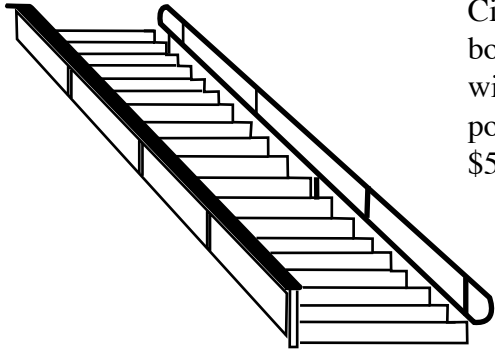


1/4 pipe snow carpet or
Plastic
10' tyranny, 8' tall

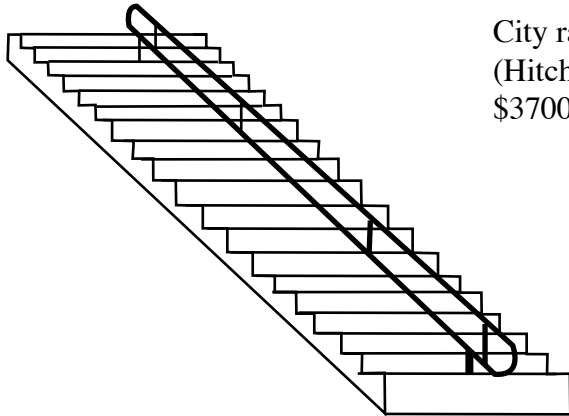
8' wide \$1800
12' wide \$2700
16' wide \$3600
20' wide \$4500

Wolf series jibs are our large features. We consider them to be the key features in every park. Most are fitted with a hitch system so that they can be towed around the terrain park by any snow cat equipped with a hitch. Prices on these features vary for each one. However, the shapes, length, height and design are not set in stone and can be altered for your individual style. The cost will increase with every change and is based on the price structure of each feature.

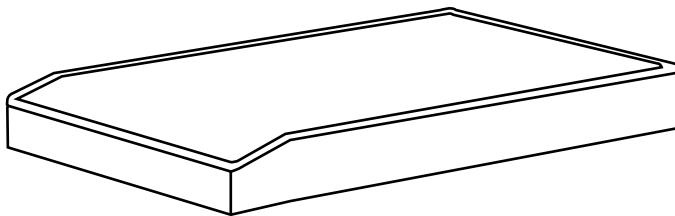
WolfSeries cont...



City rail and ledge
box 24' long x 8'
wide.(Hitch or pick
points extra.)
\$5200



City rail 24' long x 8' wide.
(Hitch or pick points extra.)
\$3700



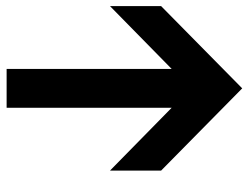
52" wide Dance Floor
8' \$1000
12' \$1500
16' \$2000
20' \$2500



216 w Winchester Street
Salt Lake City, UT 84107
www.kabrails.com



Don't worry, if you're not seeing a design you're wanting, we make everything. These are just some examples of boxes we make at KAB. This catalog is designed to give you a pricing structure not to list every feature we make. As you know every park is different and is filled with a wide variety of unique features. Check out our web site for other designs:
www.kabrails.com



railbuilder@kabrails.com

SALES:
STEVE DUKE 801 554 7764

JARED WINKLER 801 573 1995

KAB Clients:				
Brighton	Park City	The Canyons	Deer Valley	Alta
Powder Mtn	Beaver Mtn	Brian Head	DC Mtn Lab	Wasatch Academy
Mad River	Terry Peak	West Point Academy	Buck Hill	Windells
MT Hood Ski Bowl	Kirkwood	Durango Parks & Rec	Crested Butte	Wolf Mtn UT
Bretton Woods	OGIO	Skull Candy	Smith Limos	Ozone Kite's
Red Bull	Skull candy	Rome	Utah Kite Boarding	Addiction
Buck Hill				
Events:				
DNA Evolution tour	Bang collage campus tour	Red Bull Heavy Metal		
Widow Maker Hill Climb	Blue Ribbon Jibbing	Fat Flake Festival		
Nike Photo Shoot	Queens Cup	Slug Games		
Volcom PBJ	Rome Premature Jibulation	Bonfire Pipe to Pipe		
Rocking Rail Jam	The Canyons parks series	USSA slope style		
Utah winter games				